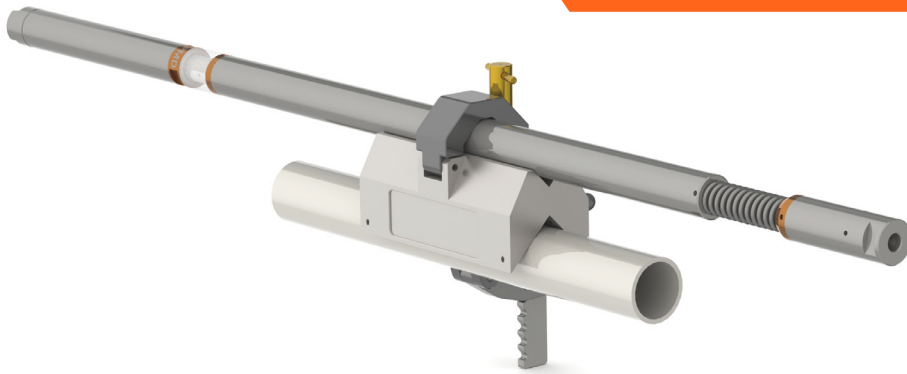
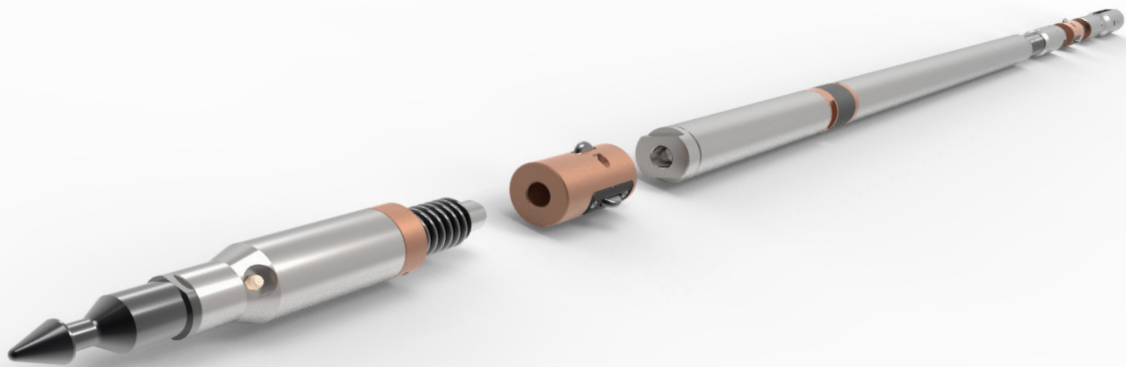


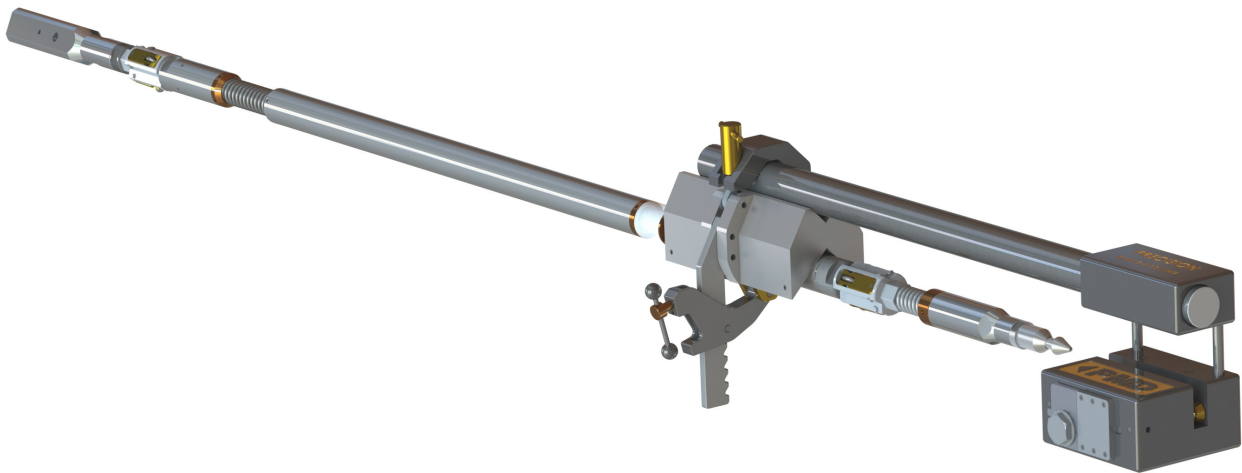
NORTH SEEKING GYROCOMPASS



North seeking gyro is attached to clamp and drill rod for drill rig alignment



Fit the spindle, centralisers and overshoot-head to the gyro / retrieve the inner tube



Fit the depth counter to the rod clamp for continuous down hole survey

Find out more at www.pmd.co



DIRECTA Hybrid is a cost-effective north seeking gyrocompass that provides a survey system for drill rig alignment and downhole surveying. A multi-function tool, offering users drill rig alignment, single shot surveys, multi shot survey and continuous survey including a wire depth counter. Easily transforms into an overshot assembly.

SPECIFICATIONS | DIRECTA HYBRID

Rig Alignment Mode	
Accuracy: Azimuth	+/- 0.4° *
Inclination	+/- 0.2°

Down Hole Survey Mode	
Accuracy: Azimuth	+/- 0.75° *
Inclination	+/- 0.2°
Gravity Toolface	+/- 0.2°
Gyro Toolface	+/-0.75°

Rig Alignment / Single / Multi Shot and Continuous Survey Modes	
Operating Range	-90° to +90° *

Deep Hole North Seeking Mode:	
Operating Range	-80° to +90°

Tablet and Battery	
Tablet	Getac T800
Gyro Battery	Re-chargeable Li-ion, 5000mAh 74 Wh 15 hours continuous operation

Temperature, Shock and Pressure	
Temperature	-10°C to +70°C (14°F to 158°F)
Shock	1000g Axial, ½ sine, 1ms
Pressure Rating	4000psi

Dimensions	
Outside Diameter	46mm
Length	1460mm
Weight	9kg

Technical specifications are subject to change without notification.

*Gyrocompass azimuth accuracy is latitude dependent and quoted at 1 sigma.

